

16+8 (IP) Hybrid DVR

IV-16CHDVR8IP-CA



Key Features

- Support TVI,AHD, CVI,CVBS, IP cameras with adaptive access
- 16-channel BNC input
- Up to 5MP resolution for recording
- Support 1-ch HDMI output at up to 4K, 1-ch VGA output at up to 1920*1080
- Long transmission distance over coax cable

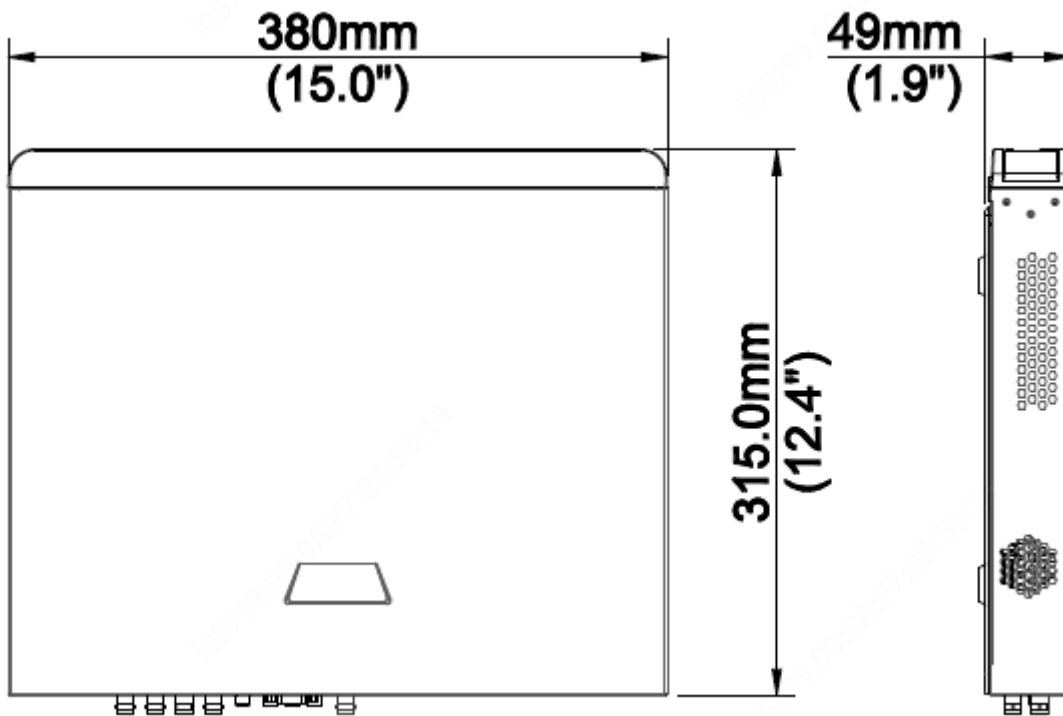
Specifications

Model	IV-16CHDVR8IP-CA
Video/Audio Input	
Analog Video Input	16-ch, BNC
IP Video Input	8-ch(only IP up to 24ch)
Supported Analog Camera Types	<p>Support AHD input:</p> <p>5MP@20fps 4MP@30fps 3MP@30fps (channel1 -channel4) 1080P@30fps 720P@60fps</p> <p>Support TVI input:</p> <p>5MP@20fps 4MP@30fps 3MP@20fps (channel1 - channel4)</p>

	1080P@30fps 720P@60fps Support CVI input: 4MP@30fps 1080P@30fps 720P@60fps Support CVBS input
Audio Input	1-ch, RCA
Two-way Audio	1-ch, RCA
Channel Associated Audio	1-ch,RCA
Network	
Incoming Bandwidth	72Mbps
Outgoing Bandwidth	80Mbps
Remote Users	128
Protocols	TCP/IP, P2P, UPnP, NTP, DHCP, PPPoE
Video/Audio Output	
CVBS Output	1-ch, BNC
VGA Output	1920x1080p/60Hz, 1920x1080p/50Hz, 1600x1200/60Hz, 1280x1024/60Hz, 1280x720/60Hz, 1024x768/60Hz
HDMI Output	1920x1080p/60Hz, 1920x1080p/50Hz,1600x1200/60Hz, 1280x1024/60Hz, 1280x720/60Hz, 1024x768/60Hz
Recording Resolution	5MP Lite/4MP Lite /3MP/1080P/960P/720P/960H/4CIF/CIF
Audio Output	1-ch, RCA
Synchronous Playback	16-ch
Decoding	
Decoding format	H.265/H.264
Live View/ Playback	5MP/4MP/3MP/1080P/960P/720P/960H/4CIF/CIF/QCIF
Capability	3 x 5MP@30 4 x 4MP@30 4 x 3MP@30 6 x 3MP@25 8 x 1080p@30 16 x 720p@30
Encoding	
Frame Rate	5MP Lite@12fps

	4MP Lite@15fps 3MP@15fps(channel1 - channel4) 2MP@15fps 720P@30fps Sub stream: D1@30fps(Max)
Hard Disk	
SATA	1 SATA interface
Capacity	Up to 10TB for each HDD
External Interface	
Network Interface	1RJ45 10M/100M/1000M self-adaptive Ethernet Interface
USB Interface	Rear panel: 1 x USB3.0,Front panel: 1xUSB2.0
Serial Interface	1 x RS485
Alarm In	-
Alarm Out	-
General	
Power Supply	12V DC Power Consumption: ≤ 12 W(without HDD)
Working Environment	-10°C ~ + 55°C (+14°F ~ +131°F), Humidity ≤ 90% RH(non-condensing)
Dimensions(W×D×H)	380mm ×315mm× 49mm (15" × 12.4"×1.9")
Weight (without HDD)	≤1.9 Kg (4.19lb)

Dimensions



Rear Panel

Take IV-8CHDVR4IP-2SATA-CA for example

