

GUARDIAN®



Product Name: 3-Way SRL

Part #: 10974; 10981

Instruction Manual

Do not throw away these instructions!
Read and understand these instructions before using equipment!

Introduction	1
Applicable Safety Standards	1
Worker Classifications	1
Product Specific Applications	2
Limitations	2 - 3
Components and Specifications	4
Installation and Use	5 - 6
Maintenance, Cleaning, and Storage	7
Inspection	7
Inspection Log	8
Safety Information	9
Labels	10 - 11



Introduction

Thank you for purchasing a Guardian 3-Way SRL. This manual must be read and understood in its entirety, and used as part of an employee training program as required by OSHA or any applicable state agency.


This and any other included instructions must be made available to the user of the equipment. The user must understand how to safely and effectively use the 3-Way SRL, and all fall safety equipment used in combination with the 3-Way SRL.

User Information	
Date of First Use:	_____
Serial #:	_____
Trainer:	_____
User:	_____

Applicable Safety Standards

When used according to instruction specifications, this product meets or exceeds all applicable OSHA 1926.502, OSHA 1910.140, and CSA Z259.2.2-2017 standards for fall protection. Applicable standards and regulations depend on the type of work being done, and also might include state-specific regulations. Consult regulatory agencies for more information on fall protection systems and associated components.

Worker Classifications

 CAUTION	Understand the following definitions of those who work near or who may be exposed to fall hazards.
---	--

Qualified Person: A person with an accredited degree or certification, and with extensive experience or sufficient professional standing, who is considered proficient in planning and reviewing the conformity of fall protection and rescue systems.

Competent Person: A highly trained and experienced person who is ASSIGNED BY THE EMPLOYER to be responsible for all elements of a fall safety program, including, but not limited to, its regulation, management, and application. A person who is proficient in identifying existing and predictable fall hazards, and who has the authority to stop work in order to eliminate hazards.

Authorized Person: A person who is assigned by their employer to work around or be subject to potential or existing fall hazards.

It is the responsibility of a Qualified or Competent person to supervise the job site and ensure all applicable safety regulations are complied with.

Product Specific Applications



WARNING Use of equipment in unintended applications may result in serious injury or death. Maximum 1 attachment per connection point.



Personal Fall Arrest: 3-Way SRL may be used to support a MAXIMUM 1 Personal Fall Arrest System (PFAS) for use in Fall Arrest applications. Structure must withstand loads applied in the directions permitted by the system of at least 5,000 lbs. No free fall is permitted. Applicable D-ring: Dorsal.



Restraint: 3-Way SRL may be used in Restraint applications. Restraint systems prevent workers from reaching the leading edge of a fall hazard. Always account for fully deployed length of lanyard/SRL. Structure must withstand loads applied in the directions permitted by the system of at least 1,000 lbs. No free fall is permitted. Restraint systems may only be used on surfaces with slopes up to 4/12 (vertical/horizontal). Applicable D-rings: Dorsal, Chest, Side, Shoulder.



Rescue/Confined Space: 3-Way SRL may be used in Rescue/Confined Space applications. Rescue systems function to safely recover a worker from a confined location or after exposed to a fall. There are various configurations of Rescue systems depending on the type of rescue. Structure must withstand loads applied in the directions permitted by the system of at least 3,000 lbs. No free fall is permitted. Applicable D-rings: Dorsal, Chest, Shoulder.

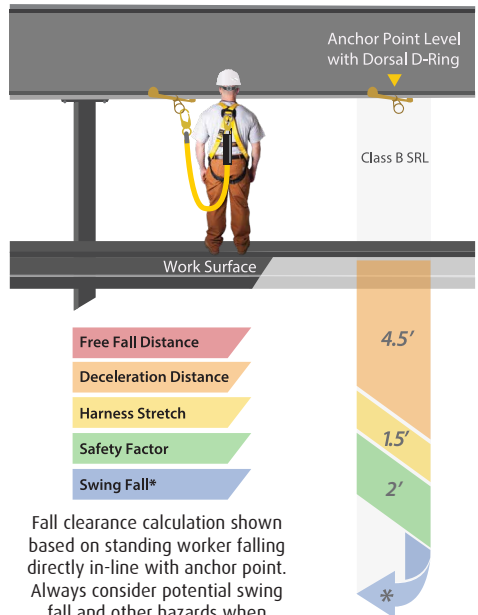
For all applications: worker weight capacity range (including all clothing, tools, and equipment) is 130-310 lbs.

Limitations

Fall Clearance: There must be sufficient clearance below the anchorage connector to arrest a fall before the user strikes the ground or an obstruction. When calculating fall clearance, account for a MINIMUM 2' safety factor, deceleration distance, user height, length of lanyard/SRL, and all other applicable factors.

Diagram shown is an example fall clearance calculation ONLY.

Swing Falls: Prior to installation or use, make considerations for eliminating or minimizing all swing fall hazards. Swing falls occur when the anchor is not directly above the location where a fall occurs. Always work as close to in line with the anchor point as possible. Swing falls significantly increase the likelihood of serious injury or death in the event of a fall.



Compatibility: When making connections with 3-Way SRL, eliminate all possibility of roll-out. Roll-out occurs when interference between a hook and the attachment point causes the hook gate to unintentionally open and release. All connections must be selected and deemed compatible with 3-Way SRL by a Competent Person. All connector gates must be self-closing and self-locking, and withstand minimum loads of 3,600 lbs. See the following for examples of compatible/incompatible connections:

Connector closed and locked to D-ring. **OK.**



Connector to integral lanyard. **NO.**

Two connectors to same D-ring. **NO.**



Connector directly to webbing. **NO.**

Incompatible or irregular application, which may increase risk of roll-out. **NO.**



Connector directly to horizontal lifeline. **NO.**

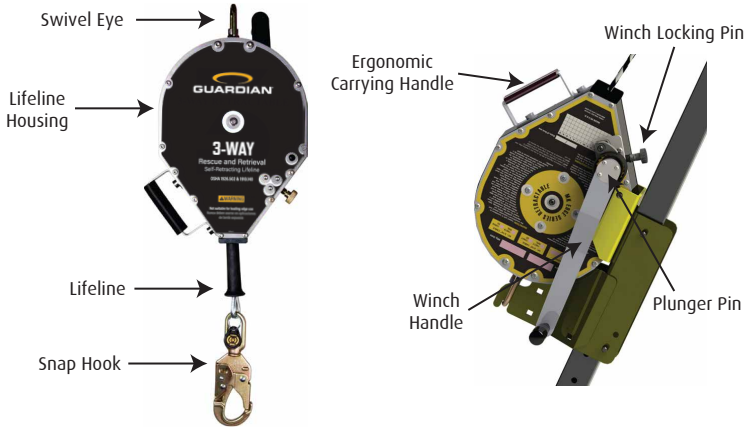
Two or more snap hooks or carabiners connected to each other. **NO.**



Components and Specifications

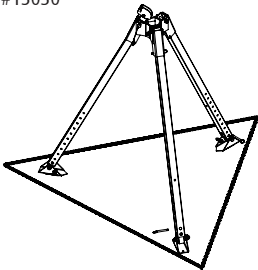
3-Way SRL: #10974 and #10981

Materials: galvanized steel, stainless steel, aluminum, copper, bronze, and polyurethane.

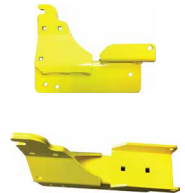
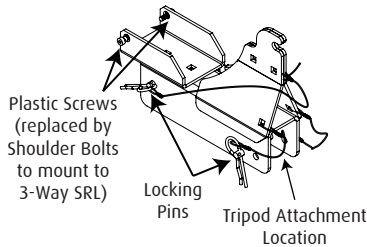


Guardian recommends 3-Way SRL be used with a compatible tripod, such as the Guardian Arc-O-Pod (#15030, not included), and mounting bracket (#10983, not included). Contact Guardian Fall Protection with any questions regarding proper and compatible equipment configurations.

#15030

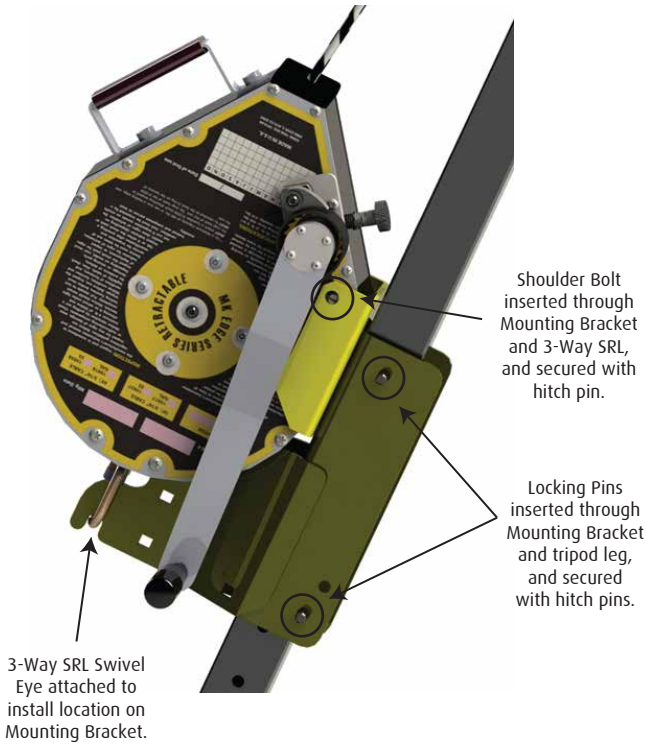


#10983



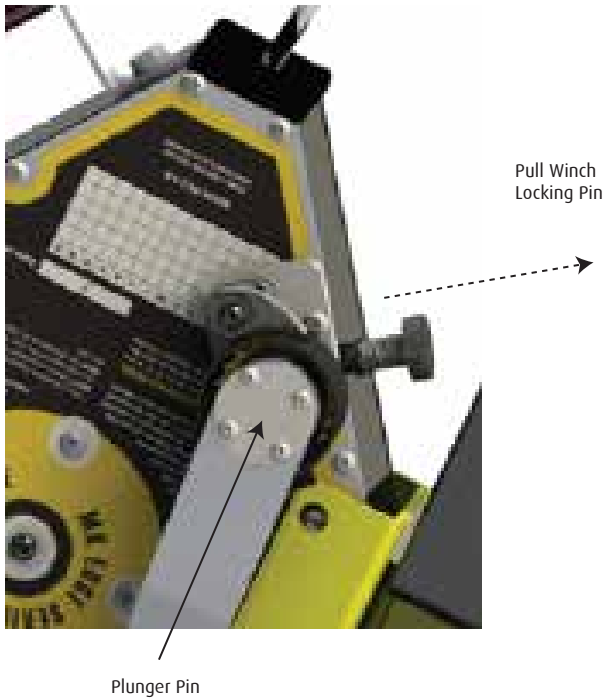
Installation and Use

1. With compatible carabiner, attach 3-Way SRL to anchor point at or above harness dorsal D-ring, OR attach to compatible tripod with Mounting Bracket part #10983 as indicated below.
2. If being used in combination with Arc-O-Pod or other compatible tripod, completely assemble, install, and use tripod according to manufacturer's instructions provided with tripod at time of shipment. TRIPOD MUST HAVE INTEGRAL PULLEY.
3. If being used in combination with tripod, install Mounting Bracket on tripod leg:
 - a) Place Mounting Bracket over leg as shown, so 3-Way SRL snap hook will face up towards tripod pulley;
 - b) Select desired height of 3-Way SRL on tripod leg, and place Mounting Bracket at selected location;
 - c) Install (2) provided Locking Pins through Mounting Bracket and tripod leg as shown;
 - d) Secure Locking Pins with connected hitch pins, and ensure Mounting Bracket is fully secured to tripod leg.



4. To switch 3-Way SRL to rescue/retrieval mode, pull and hold Winch Locking Pin, then move handle back and forth until Plunger Pin releases out, and release Winch Locking Pin.
5. To lower cable, rotate Winch Handle counter-clockwise. To raise cable, rotate Winch Handle clockwise.
6. To switch 3-Way SRL back to standard SRL mode, pull and hold Winch Locking Pin, then compress Plunger Pin, and release Winch Locking Pin. Ensure Plunger Pin remains down and locked in place.

RESCUE/RETRIEVAL MODE FOR EMERGENCY USE ONLY. DO NOT USE 3-WAY SRL FOR ROUTINE HOISTING OF PERSONNEL OR MATERIALS.





Maintenance, Cleaning, and Storage

If 3-Way SRL fails inspection in any way, immediately remove it from service, and contact Guardian to inquire about its return or repair.

Cleaning after use is important for maintaining the safety and longevity of 3-Way SRL. Remove all dirt, corrosives, and contaminants from 3-Way SRL before and after each use. If 3-Way SRL cannot be cleaned with plain water, use mild soap and water, then rinse and wipe dry. NEVER clean 3-Way SRL with corrosive substances.

When not in use, store equipment where it will not be affected by heat, light, excessive moisture, chemicals, or other degrading elements.

Inspection

KEEP INSTRUCTIONS AVAILABLE FOR REFERENCE. Record Date of First Use.

Prior to EACH use, inspect 3-Way SRL for deficiencies, including, but not limited to, corrosion, deformation, pits, burrs, rough surfaces, sharp edges, cracking, rust, paint buildup, excessive heating, alteration, broken stitching, fraying, bird-caging, and missing or illegible labels. Inspect full length of lifeline. IMMEDIATELY remove 3-Way SRL from service if defects or damage are found.

Prior to EACH use, check lifeline retraction by pulling out a minimum 4' and allowing it to retract under light tension; lifeline must retract completely. Pull lifeline sharply to test braking function; brakes must engage. Check fall arrest indicator for signs of activation; indicator will display red if unsafe for use. Ensure ratchet handle engages and operates the winch correctly. IMMEDIATELY remove from service if 3-Way SRL does not function properly, or if exposed to forces of fall arrest.

Ensure that applicable work area is free of all damage, including, but not limited to, debris, rot, rust, decay, cracking, and hazardous materials. Ensure that selected work area will support the application-specific minimum loads set forth in this instruction manual. Work area MUST be stable.

Every 12 months, a Competent Person other than the user must inspect 3-Way SRL. **Competent Person inspections MUST be recorded in inspection log in instruction manual and on equipment inspection grid label. The Competent Person must sign their initials in the box corresponding to the month and year the inspection took place.**

During inspection, consider all applications and hazards 3-Way SRL have been subjected to.

Inspection Log

Date of First Use: _____.

Product lifetime is indefinite, as long as it passes pre-use and Competent Person inspections. User must inspect prior to EACH use. Competent Person other than user must complete formal inspection at least every 12 months. Competent Person to inspect and initial.

This inspection log must be specific to one 3-Way SRL. Separate inspection logs must be used for each 3-Way SRL. All inspection records must be made visible and available to all users at all times.

	J	F	M	A	M	J	J	A	S	O	N	D
YR												
YR												
YR												
YR												
YR												

**If equipment fails inspection
IMMEDIATELY REMOVE FROM SERVICE.**



Safety Information



Failure to understand and comply with safety regulations may result in serious injury or death. Regulations included herein are not all-inclusive, are for reference only, and are not intended to replace a Competent Person's judgment or knowledge of federal or state standards.

Do not alter equipment. Do not misuse equipment.

Workplace conditions, including, but not limited to, flame, corrosive chemicals, electrical shock, sharp objects, machinery, abrasive substances, weather conditions, and uneven surfaces, must be assessed by a Competent Person before fall protection equipment is selected.

The analysis of the workplace must anticipate where workers will be performing their duties, the routes they will take to reach their work, and the potential and existing fall hazards they may be exposed to. Fall protection equipment must be chosen by a Competent Person. Selections must account for all potential hazardous workplace conditions. All fall protection equipment should be purchased new and in an unused condition.

Fall protection systems must be selected and installed under the supervision of a Competent Person, and used in a compliant manner. Fall protection systems must be designed in a manner compliant with all federal, state, and safety regulations. Forces applied to anchors must be calculated by a Competent Person.

Unless explicitly stated otherwise, the maximum allowable free fall distance for lanyards must not exceed 6'.

Harnesses and connectors selected must be compliant with manufacturer's instructions, and must be of compatible size and configuration. Snap hooks, carabiners, and other connectors must be selected and applied in a compatible fashion. All risk of disengagement must be eliminated. All snap hooks and carabiners must be self-locking and self-closing, and must never be connected to each other.

A pre-planned rescue procedure in the case of a fall is required. The rescue plan must be project-specific. The rescue plan must allow for employees to rescue themselves, or provide an alternative means for their prompt rescue. Store rescue equipment in an easily accessible and clearly marked area.

Training of Authorized Persons to correctly erect, disassemble, inspect, maintain, store, and use equipment must be provided by a Competent Person. Training must include the ability to recognize fall hazards, minimize the likelihood of fall hazards, and the correct use of personal fall arrest systems.

NEVER use fall protection equipment of any kind to hang, lift, support, or hoist tools or equipment, unless explicitly certified for such use.

Equipment subjected to forces of fall arrest must immediately be removed from use.

Age, fitness, and health conditions can seriously affect the worker should a fall occur. Consult a doctor if there is any reason to doubt a user's ability to withstand and safely absorb fall arrest forces or perform set-up of equipment. Pregnant women and minors must not use this equipment.

Physical harm may still occur even if fall safety equipment functions correctly. Sustained post-fall suspension may result in serious injury or death. Use trauma relief straps to reduce the effects of suspension trauma.

Labels

guardianfall.com

800 466 6385

Guardian 607 East Sam Houston Parkway South, Ste 800 Pasadena, TX 77503



GUARDIAN

Part #	Date of Manufacture	Lot #	Serial #
10974			

WARNING Follow manufacturer's instructions supplied with this product at time of shipment for proper use, maintenance and inspection. Alterations or misuse of this product or failure to follow the instructions may result in serious injury or death.

INSPECTION: Prior to each use, inspect device per instructions, including locking function (sharp pull to test), retraction function, legibility of labels, evidence of defects, damage, or missing parts, and condition of connectors, housing, fasteners, and lifeline (inspect full length). Inspection by Competent Person required at least every 12 months. Immediately remove from service if impact indicator on hook displays red.

USE: Always use in accordance with manufacturer's instruction manual and labels included with this device at the time of shipment. This device is only for use by one person as a fall arrester. Always connect the snap hook directly to the dorsal D-ring on the harness. Guard against swing-falls by keeping the lifeline vertically overhead. Never work above the device.

Allow 42" (1.1 m) of deceleration before lock-up. Do not allow the lifeline to become slack, and maintain tension while letting it retract after disconnecting from worker. Do not allow lifeline to come in contact with anything that will damage it including but not limited to sharp edges, rough or high temperature surfaces, welding, heat sources, chemicals, electrical hazards, or moving machinery. Ensure connection to the anchorage is secured properly before use. This unit is for use by Authorized Persons only. See user manual for more details.

Lifeline: 3/16" (4.7 mm) Galv. Steel
Lifeline Length: 50 ft (15.2 m)
User Weight Range (including tools and equipment): 100-420 lb (45-191 kg)
Max. Arresting Force: 1800 lb (8 kN)
Avg. Arresting Force: 900 lb (4 kN)
Max. Arresting Distance: 3ft 6 in (1.1 m)
Min. Fall clearance: 7 ft (2.1 m)
Avg. Lock Speed: 4.5 ft/sec

RECOVERY SYSTEM OPERATION:
 Pull locking pin outward and hold. Pull retrieval handle outward until it stops. Release the pin so that it falls into the locking position (it may be necessary to rotate the handle slightly to fully engage). While maintaining tension on the cable, rotate the retrieval handle clockwise (CW) to raise worker.

TO LOWER:
 Rotate retrieval handle in counter clockwise (CCW) direction. If a fall has been arrested and lowering is required, first rotate retrieval handle in the clockwise (CW) direction for one-half rotation to lift slightly, then reverse the direction counter-clockwise (CCW) to lower. A minimum of 75 lb (34 kg) is required for lowering.

Date of First Use: _____
 Initials: _____
 Date: _____

Designed, Assembled,
 and Tested in USA

DO NOT REMOVE LABELS

**HEIGHT SAFETY.
 SIMPLIFIED.**

guardianfall.com